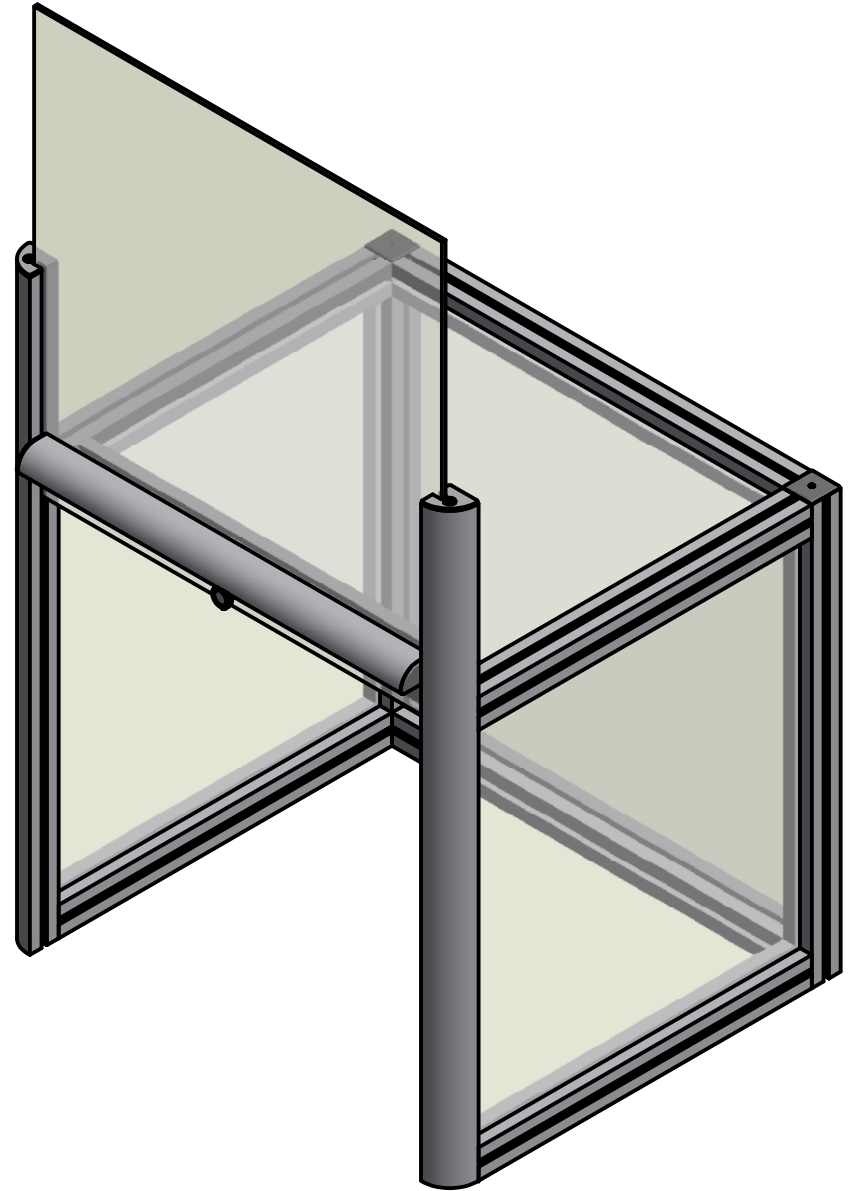

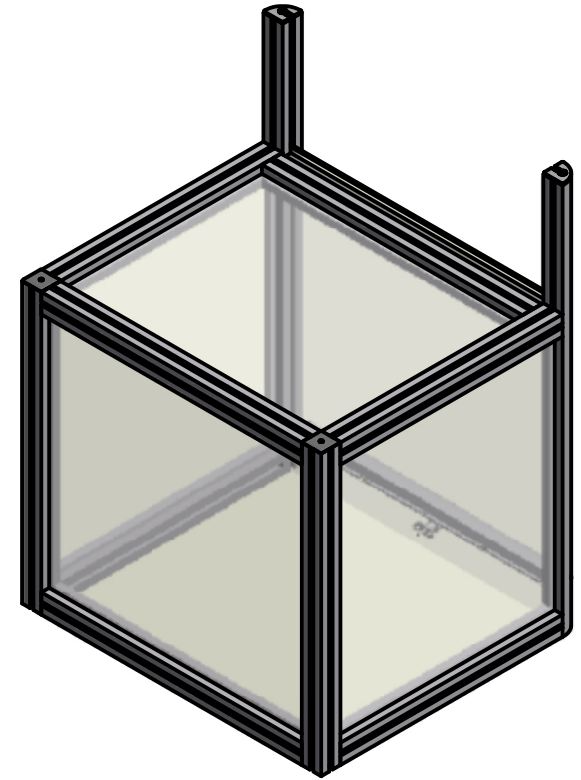
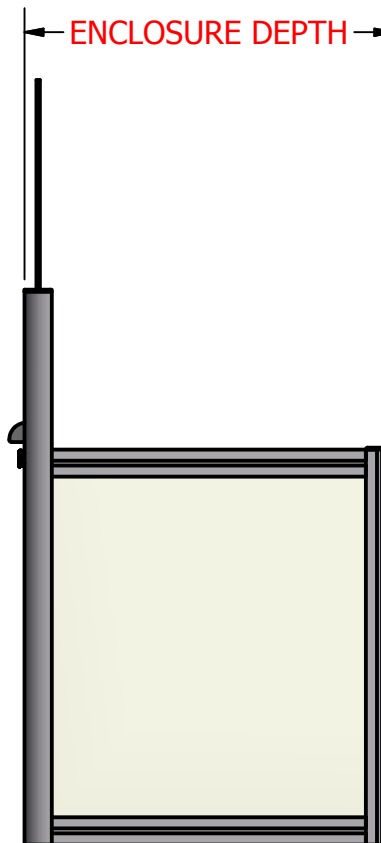
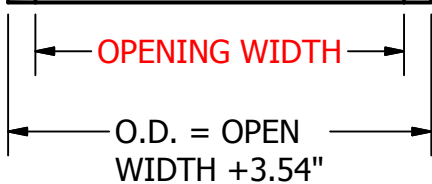
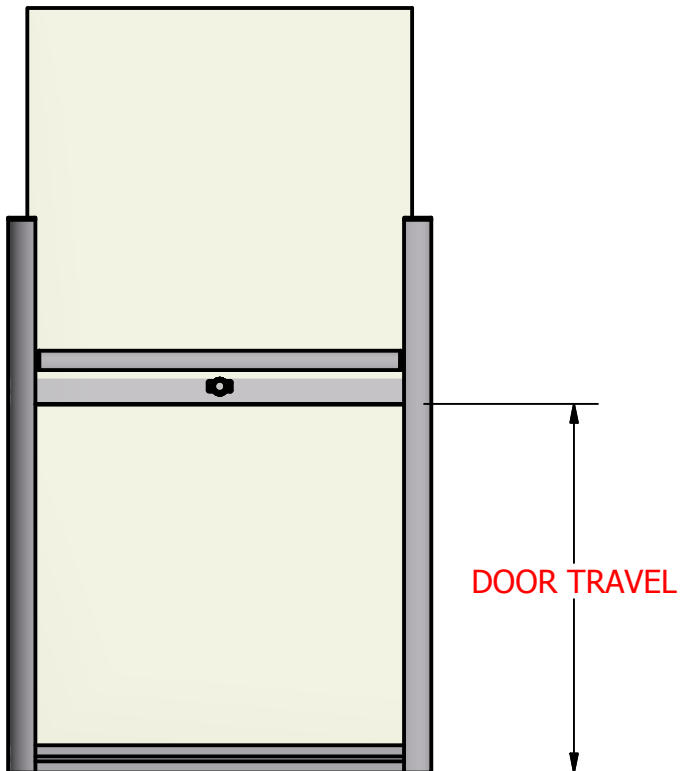
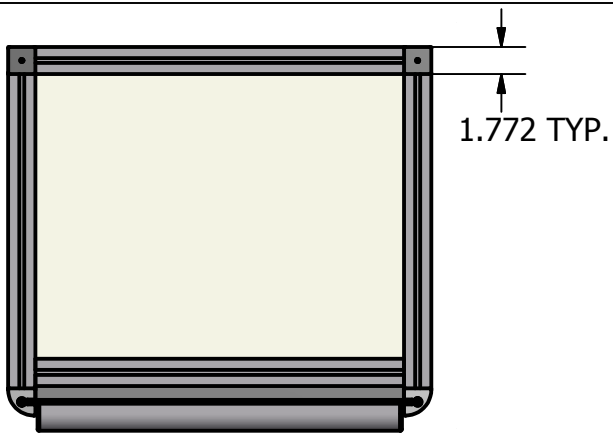


SPRING LOADED CATCH

ALL PANELS 1/4" CLEAR POLYCARBONATE
OR SPECIFY

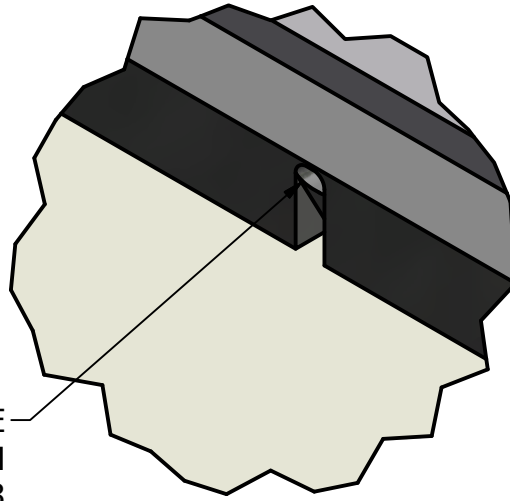


PROJECT SP032113-1			<small>WWW.MINITECFRAMING.COM</small> <small>VICTOR, NY</small> <small>PH # 585 924-4690</small> <small>DIRECT 585 398-1240 EXT 104</small> <small>FX # 585 924-4821</small> <small>amoles@minitecframing.com</small>	
DRAWN BY ANDY MOLES				
DATE 3/22/2013				
DRAWN FOR MINITEC'S CUSTOMER	TITLE Enclosure With Vertical Sliding Door	DWG NO SP032113-1	REV	
<small>TOLERANCES UNLESS OTHERWISE NOTED</small> <small>X +/- .125"</small> <small>.XX +/- .015"</small> <small>.XXX +/- .010"</small>		MATERIAL	FINISH	
				SHEET 1 OF 8

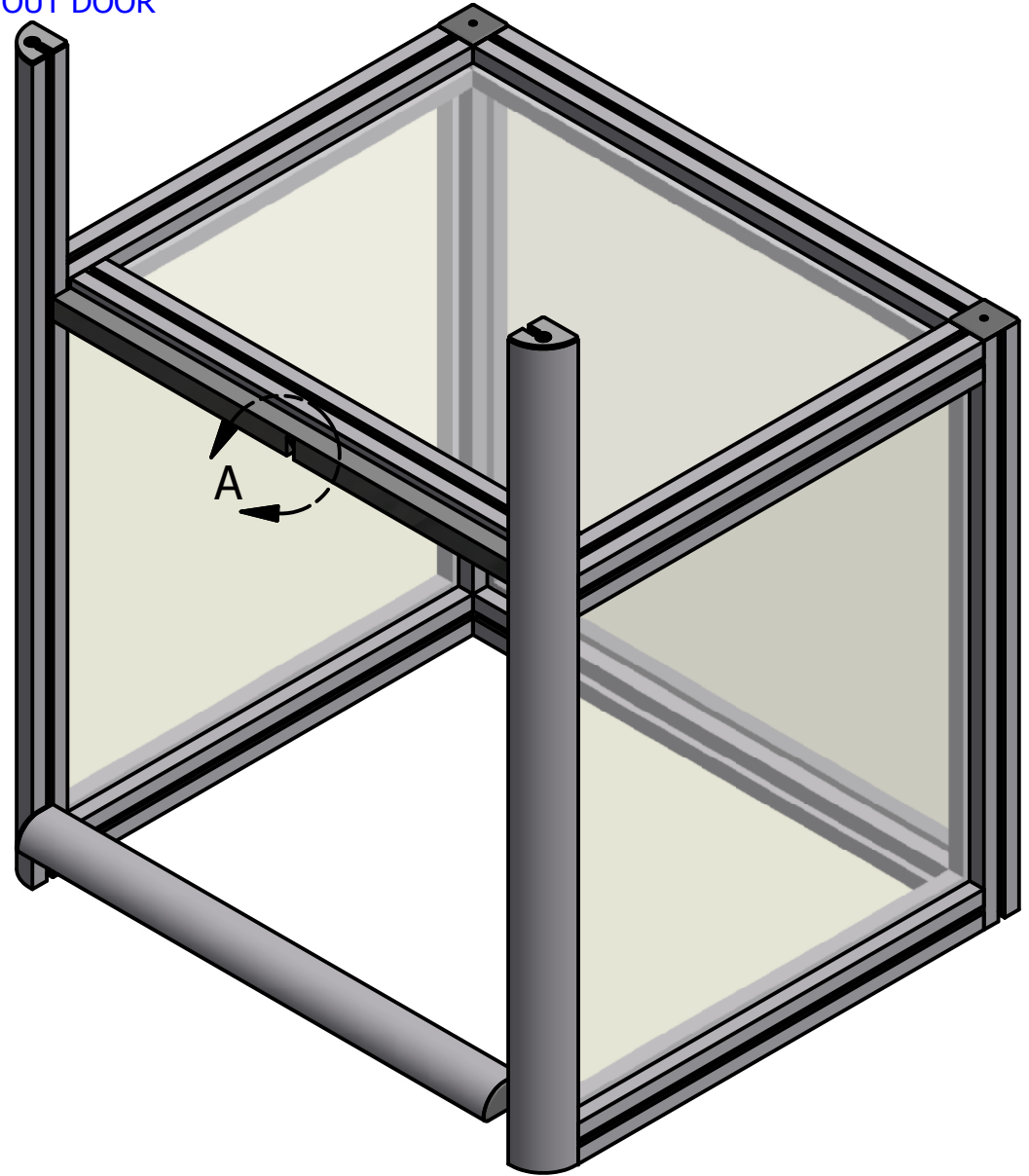



PROJECT SP032113-1			<small>WWW.MINITECFRAMING.COM VICTOR, NY PH # 585 924-4690 DIRECT 585 398-1240 EXT 104 FX # 585 924-4821 amoles@minitecframing.com</small>	
DRAWN BY ANDY MOLES				
DATE 3/22/2013				
DRAWN FOR MINITEC'S CUSTOMER	TITLE Enclosure With Vertical Sliding Door	DWG NO SP032113-1	REV	
<small>TOLERANCES UNLESS OTHERWISE NOTED X +/- .1/32" .XX +/- .015" .XXX +/- .010"</small>		MATERIAL		SHEET 2 OF 8
		FINISH		

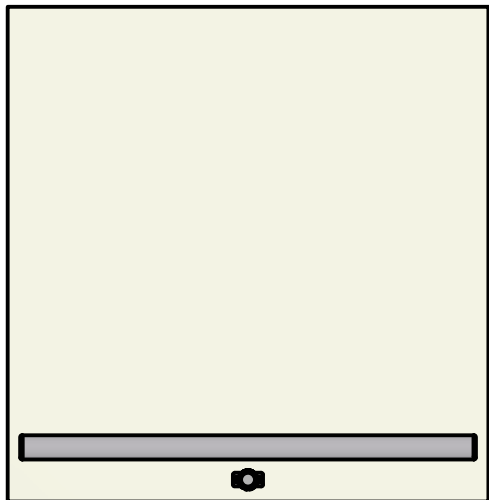
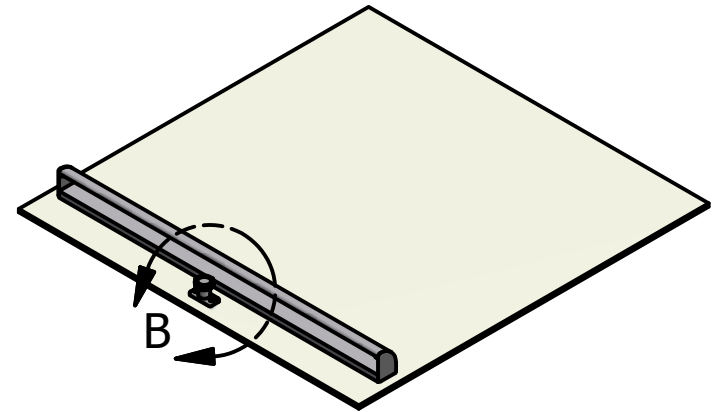
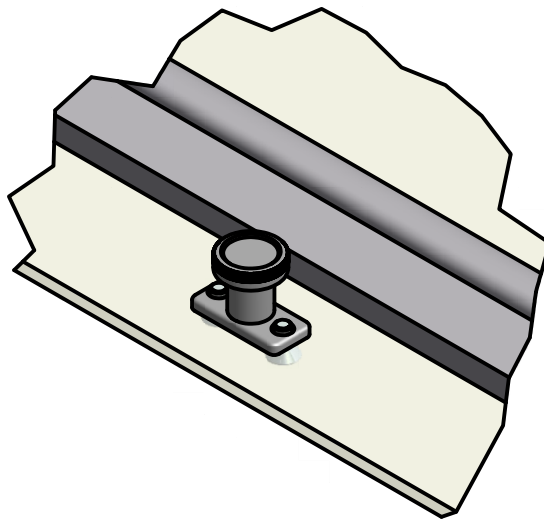
ENCLOSURE SHOWN WITHOUT DOOR



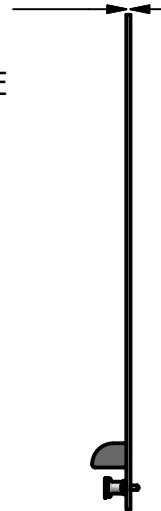
RAMP IN HANDS FREE
CATCH MADE FROM
SLIDE BAR 23



PROJECT SP032113-1		 THE ART OF SIMPLICITY	WWW.MINITECFRAMING.COM VICTOR, NY PH # 585 924-4690 DIRECT 585 398-1240 EXT 104 FX # 585 924-4821 amoles@minitecframing.com	
DRAWN BY ANDY MOLES			DWG NO	
DATE 3/22/2013			SP032113-1	
DRAWN FOR MINITEC'S CUSTOMER		TITLE Enclosure With Vertical Sliding Door		REV
TOLERANCES UNLESS OTHERWISE NOTED .X +/- .1/32" .XX +/- .015" .XXX +/- .010"		MATERIAL		SHEET 3 OF 8
		FINISH		



.220 FOR THICKER
DOORS MACHINE TO
FIT IN COVER PROFILE



PROJECT SP032113-1			WWW.MINITECFRAMING.COM
DRAWN BY ANDY MOLES			VICTOR, NY
DATE 3/22/2013			PH # 585 924-4690
DRAWN FOR MINITEC'S CUSTOMER		TITLE Enclosure With Vertical Sliding Door	DWG NO SP032113-1 DOOR ASSY
<small>TOLERANCES UNLESS OTHERWISE NOTED</small> X +/- .1/32" .XX +/- .015" .XXX +/- .010"		MATERIAL	REV
		FINISH	SHEET 4 OF 8